

CRYSTAL PRO

POU Water Cooler



Model: CRSP3KHK1C (Hot, Cook & Cold)

Voltage: 100-115VAC 60Hz, single phase

Amp Draw: : 5.5 amps

Dimensions:

15.4"(W) X 14.8 "(D) X46.3"(H)

Net Weight (approx.):61 lbs.

Refrigerant Type: R134a

Refrigerant Charge: 1.4 oz

Noise Level: 45dB(A)



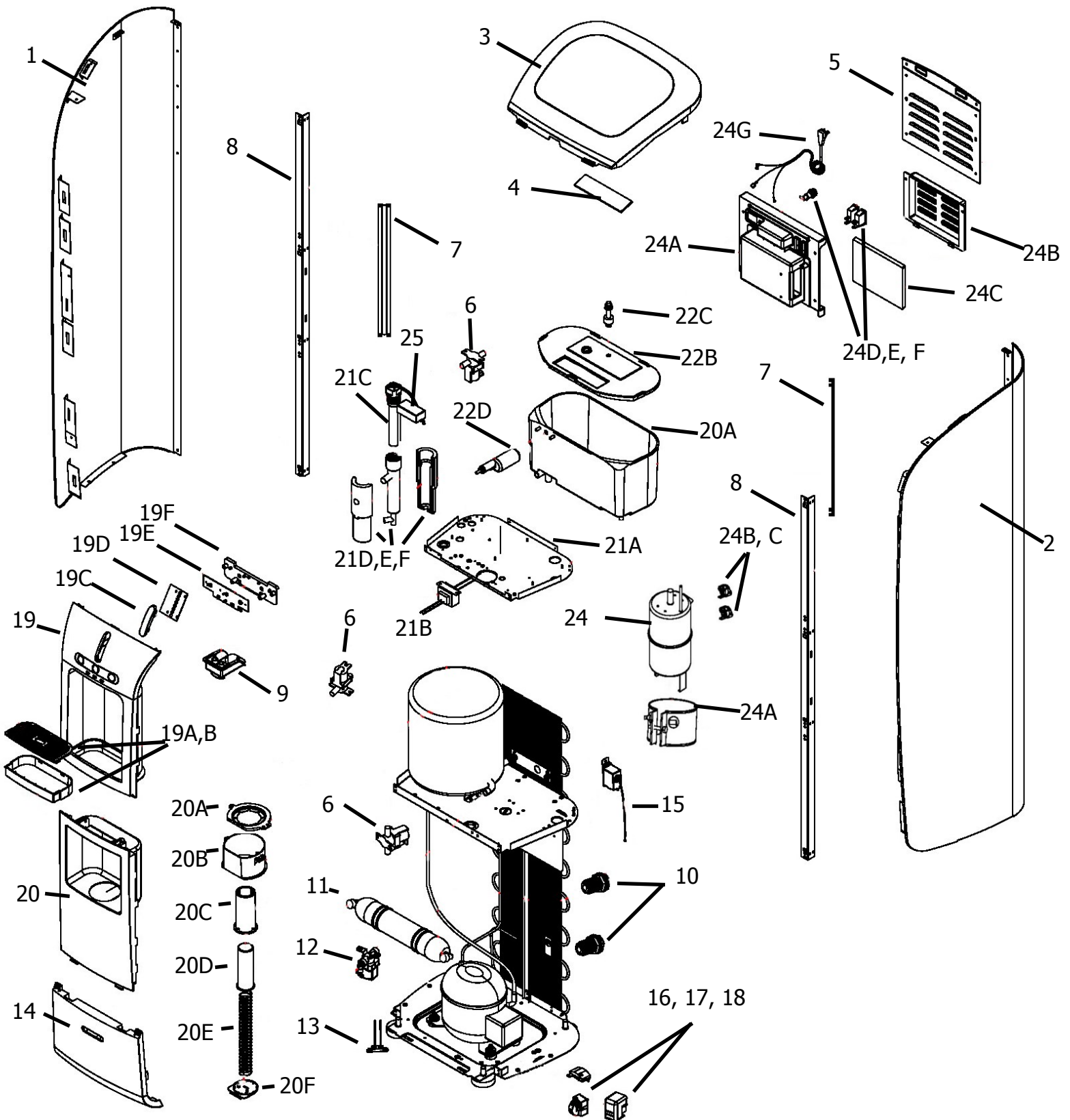
Crystal Mountain Products, Inc. • 915 Taylor Rd Unit 3 • Gahanna OH 43230

614.454.1618 • 614.866.7765 Fax • www.crystalcoolers.com

Copyright © 2017

Form 1701

PARTS DIAGRAM: CRSP3KHK1C



PARTS LISTING

DESCRIPTION	CRSP3KHK1C
1 Side Panel, Left	SMT-C400002
2 Side Panel, Right	SMT-C400003
3 Top Cover	PLC-C400003
4 Lamp, Logo	ELE-C400004
5 Cover, Back	SMT-C400005
6 Solenoid, Low Pressure 24V DC (3 in unit)	POU-C400001
7 Support Bracket, Rear Upper (2 in unit)	SMT-C400008
8 Support Bracket, Front (2 in unit)	SMT-C400007
9 Water Outlet	PLC-C400015
10 Bulkhead Ftg, JG 1/4 x 1/4	POU-C400012
11 Filter, In-line, 50µ	POU-C400011
12 Solenoid, High Pressure	POU-C400002
13 Leak Detector Assy	SUB-C400014
14 Panel, Lower Front	PLC-C400006
15 Cold Control	REF-C400004
16 Overload	REF-C100300
17 Relay	REF-C100301
18 Cover, Compressor PW2.5DV	REF-C100301
19 Upper Front Panel Assy (includes 19A-F)	SUB-C400004
19A Grill, Drip Tray	PLC-C400011
19B Drip Tray Base	PLC-C400009
19C Cover, UV Bulb	PLC-C400012
19D PCB, UV Bulb	ELE-C400003
19E PCB, 3 Key Board	ELE-C400002
19F Bracket, Push Button	PLC-C140014
20 Middle Front Panel Assy (includes 20A-F)	SUB-C400005
20A Bracket, Cup	PLC-C400007
20B Door Lock	PLC-C400008
20C Cup Dispenser, Outer	PLC-C400023
20D Cup Dispenser, Inner	PLC-C400024
20E Spring, Cup Dispenser	FAS-C400011
20F Cup Dispenser Bottom	PLC-C400022
21 Top Shelf Assy (includes 21A-F)	SUB-C400010
21A Top Shelf	SMT-C400013
21B Transformer (120V/18V/1A)	ELE-C400033
21C Bulb, UV	ELE-C400022
21D UV Chamber	SMT-C400015
21E Insulation, UV Chamber, Left	REF-C400011
21F Insulation, UV Chamber, Right	REF-C400012
22 Reservoir Assy (Includes 22A-D)	SUB-C400009
22A Reservoir, Ambient	PLC-C400001
22B Lid, Reservoir	PLC-C400002
22C Float, Electronic	ELE-C400026
22D Float Valve, Mechanical	POU-C400005
23 Hot Tank Assy (includes 23A-C)	SUB-C400001
23A Heater Band	ELE-C100298
23B Limiter	ELE-C100170
23C Thermostat	ELE-C100109
24 Main PCB, Box & Cover Assy (Includes 24A-G)	SUB-C400008
24A PCB Box	PLC-C400017
24B Cover, PCB	PLC-C400018
24C Main PCB	ELE-C400028
24D Power Switch, Green	ELE-C400007
24E Power Switch, Red	ELE-C400008
24F Fuse, 10Amp	ELE-C400032
24G Power Cord	ELE-C400029
25 Ballast, UV	ELE-C400030
Parts Not Shown	
Adjustable Foot	MIS-C400006

WIRING DIAGRAM: CRSP3KHK1C

